

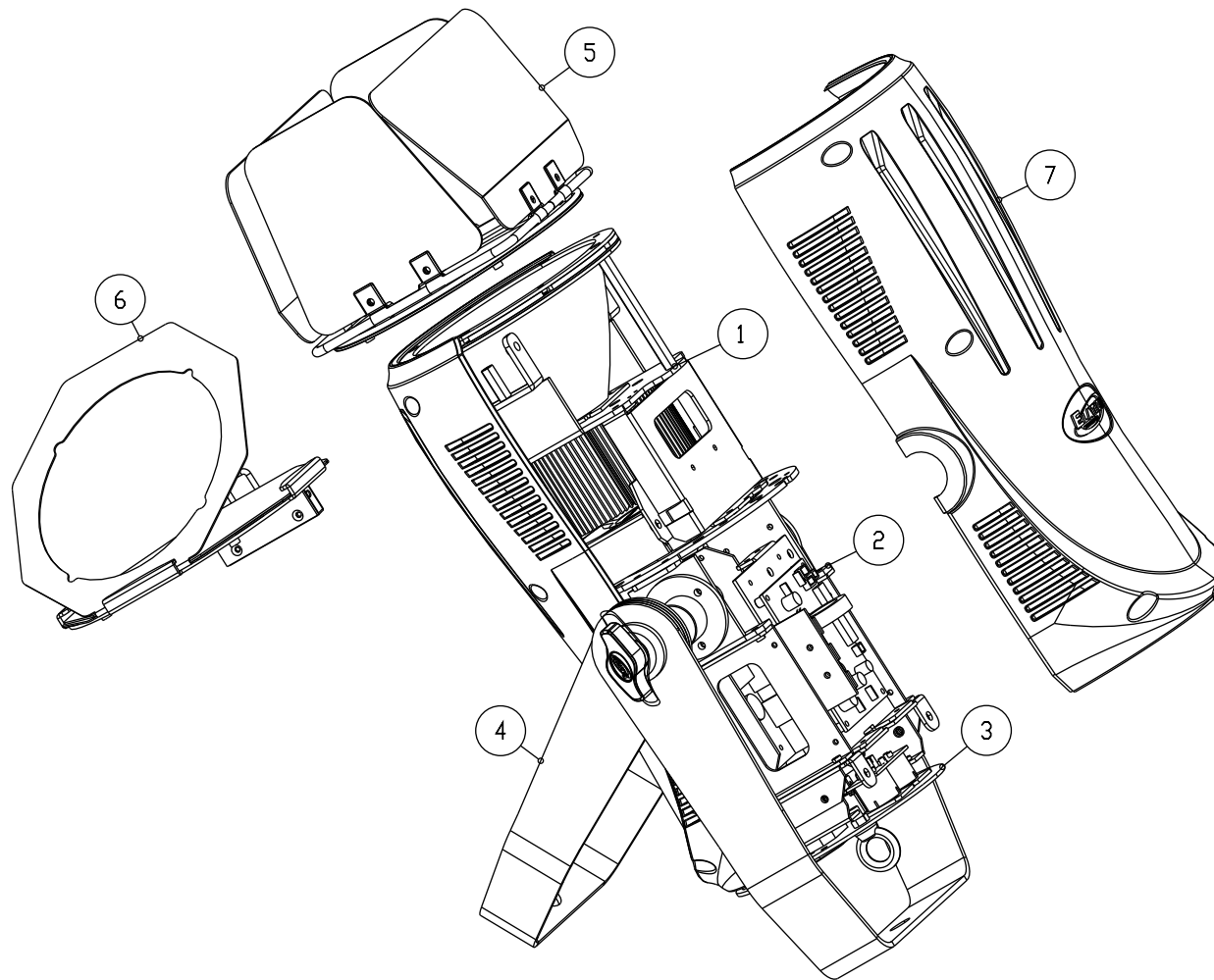
# Service manual

## WW TONE

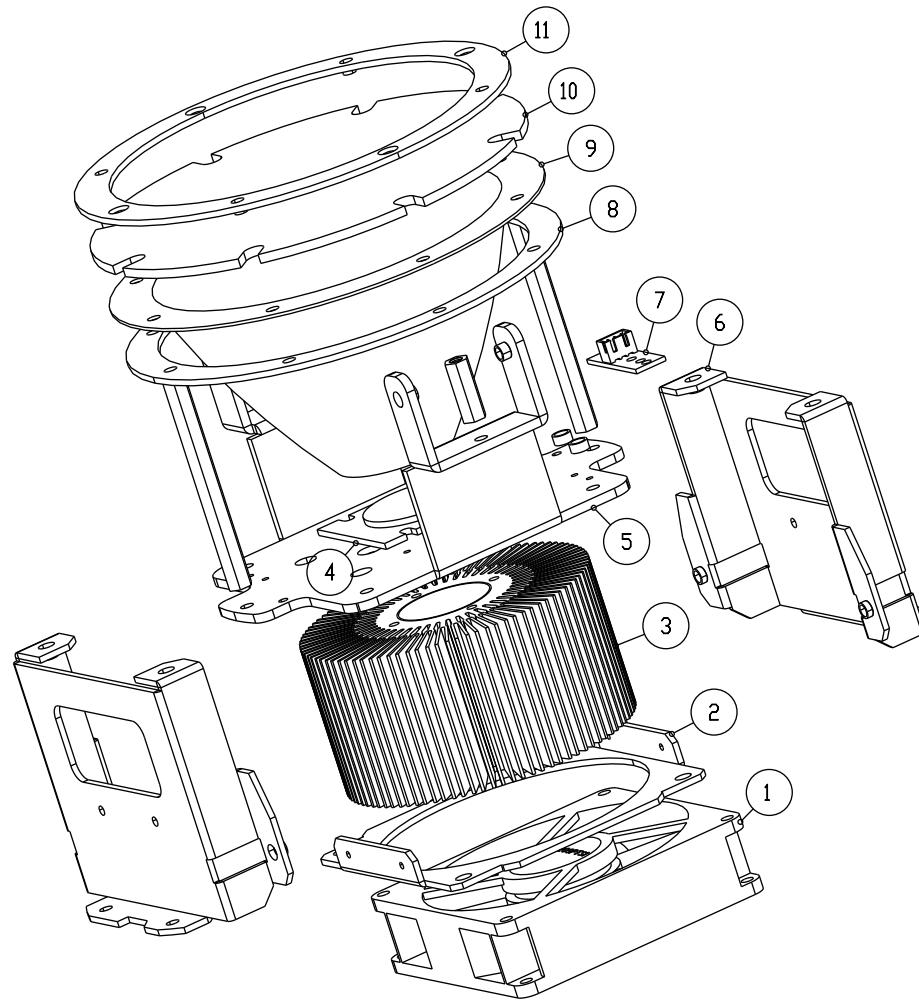
- ※ **Exploded Diagrams**
- ※ **Circuit Diagrams**
- ※ **Wiring Diagrams**
- ※ **Parts List**



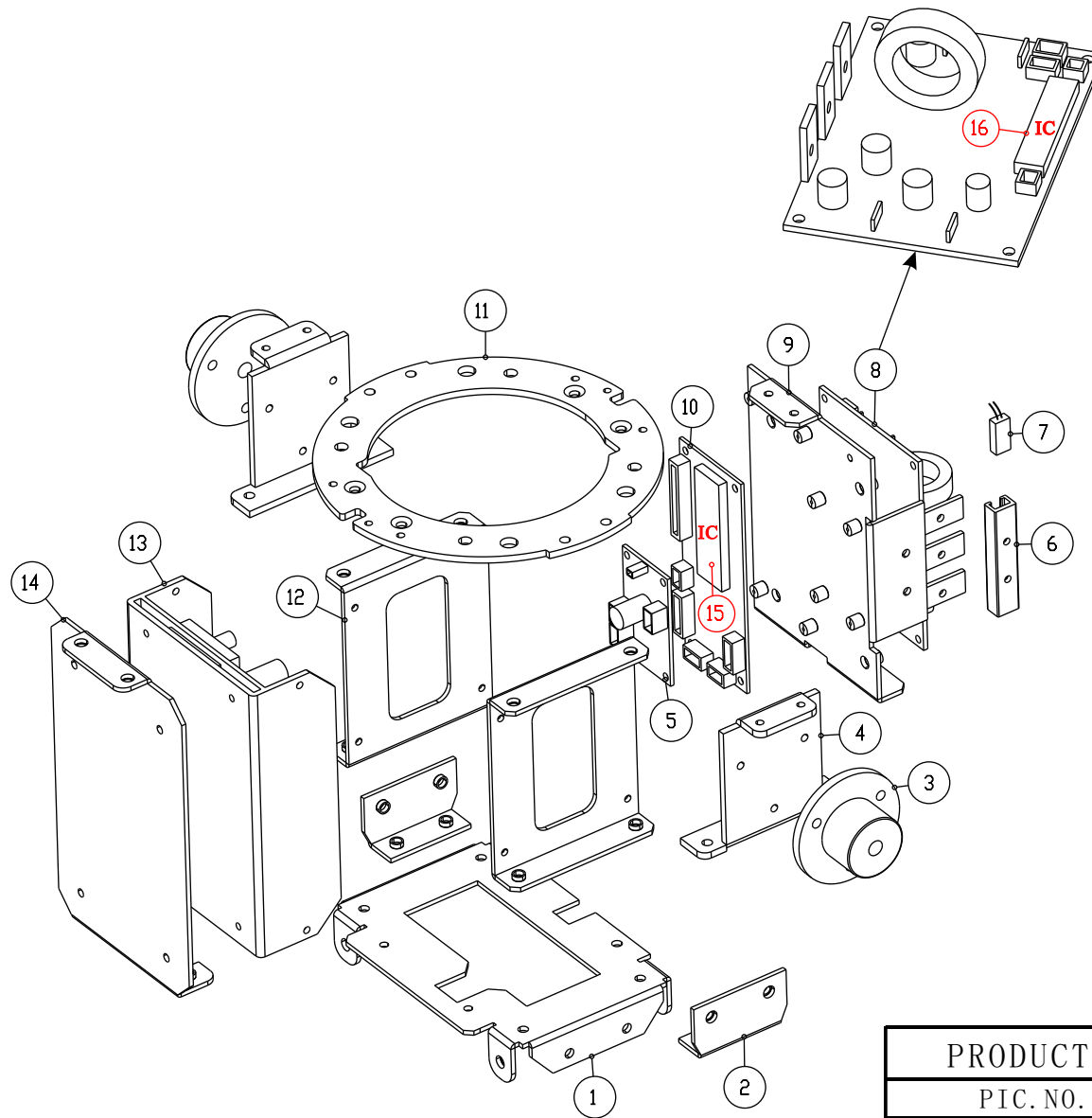
<b>PRODUCT</b>		WW TONE		
<b>PIC. NO.</b>		<b>Front Page</b>	Series No.	
EDIT		FILE NO.	HY-EXP-850A	
CHECK		ORDER NO.	SO20100672/2458	
APPROVE		VERSION	NR	SOFTWARE VER. V1.0



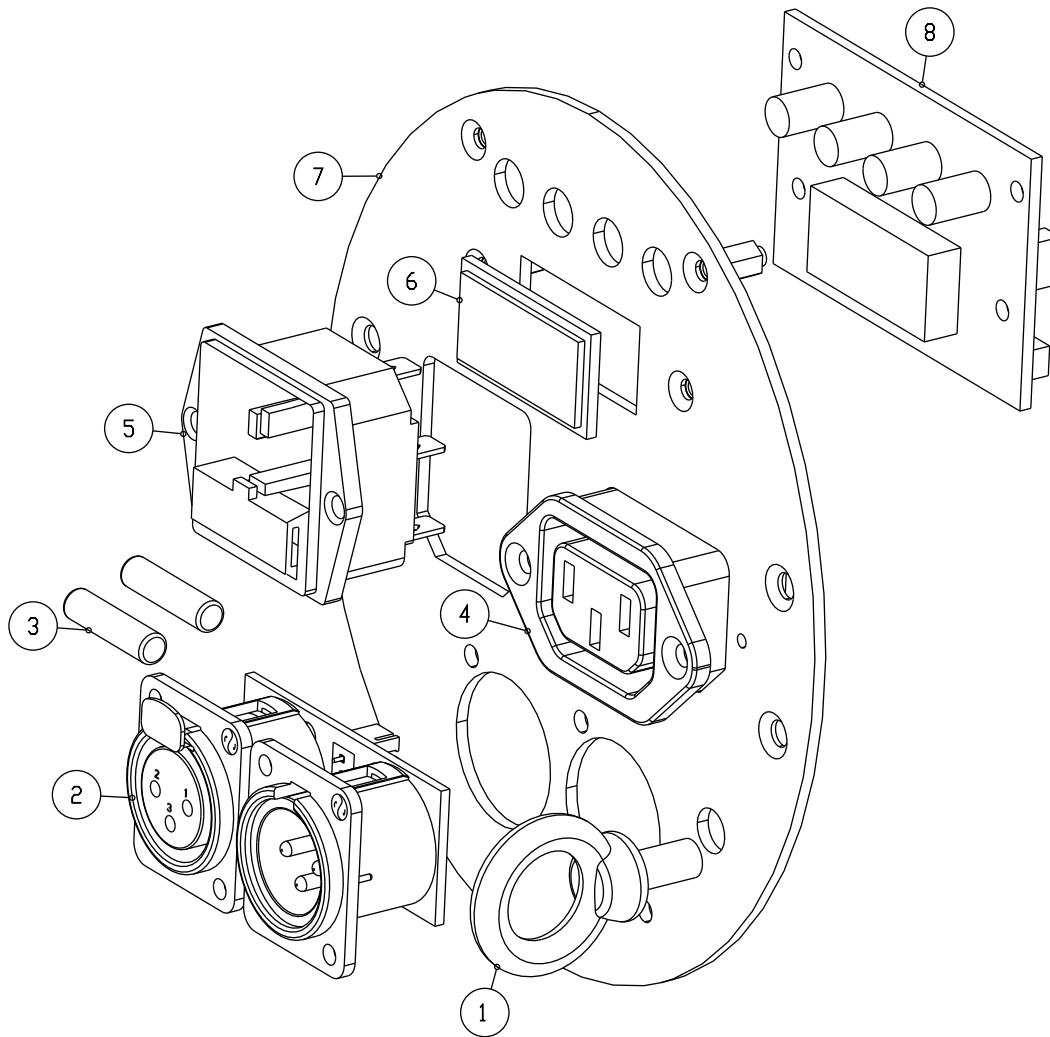
PRODUCT		WW TONE			
PIC. NO.		10-0146-00-00-00			
EDIT		FILE NO.	HY-EXP-850A	PAGE NO.	1/12
CHECK		VERSION	NR	DATE	2011.01.28
APPROVE		ECN NO.		DATE	



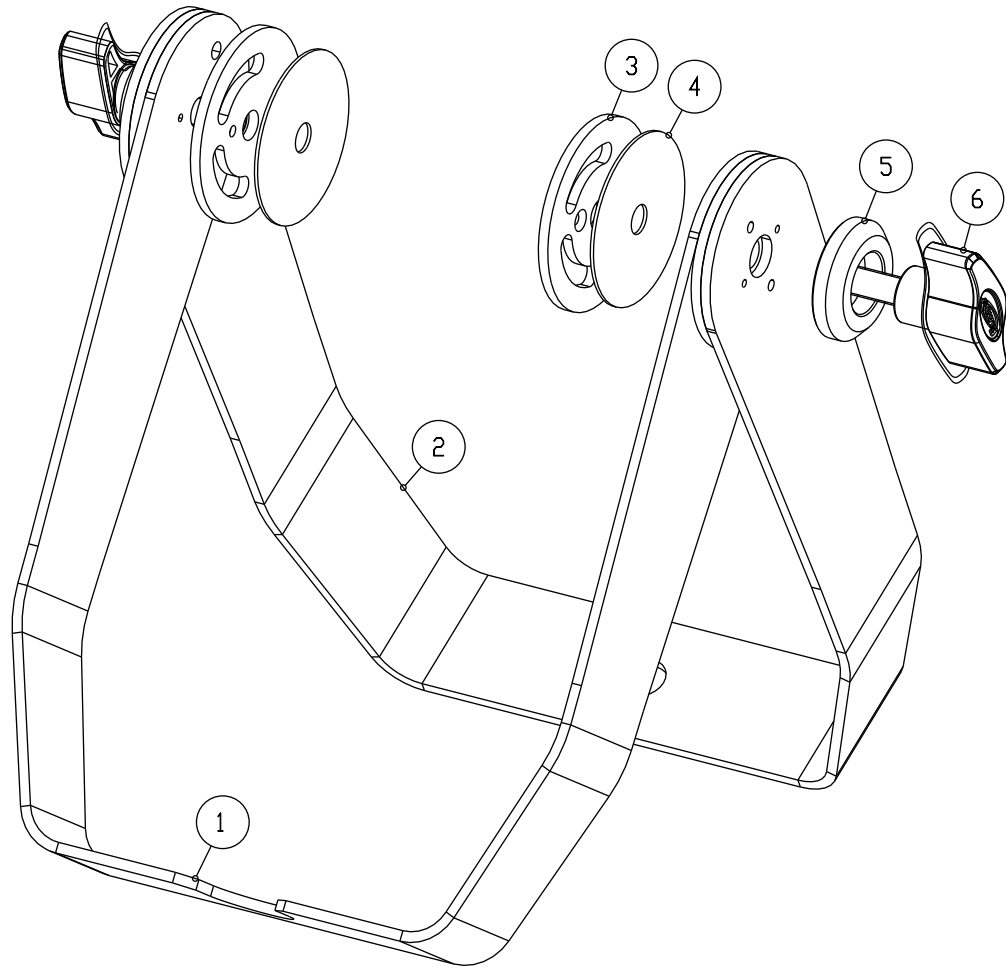
PRODUCT		WW TONE			
PIC. NO.		10-0146-01-00-00			
EDIT		FILE NO.	HY-EXP-850A	PAGE NO.	2/12
CHECK		VERSION	NR	DATE	2011.01.28
APPROVE		ECN NO.		DATE	



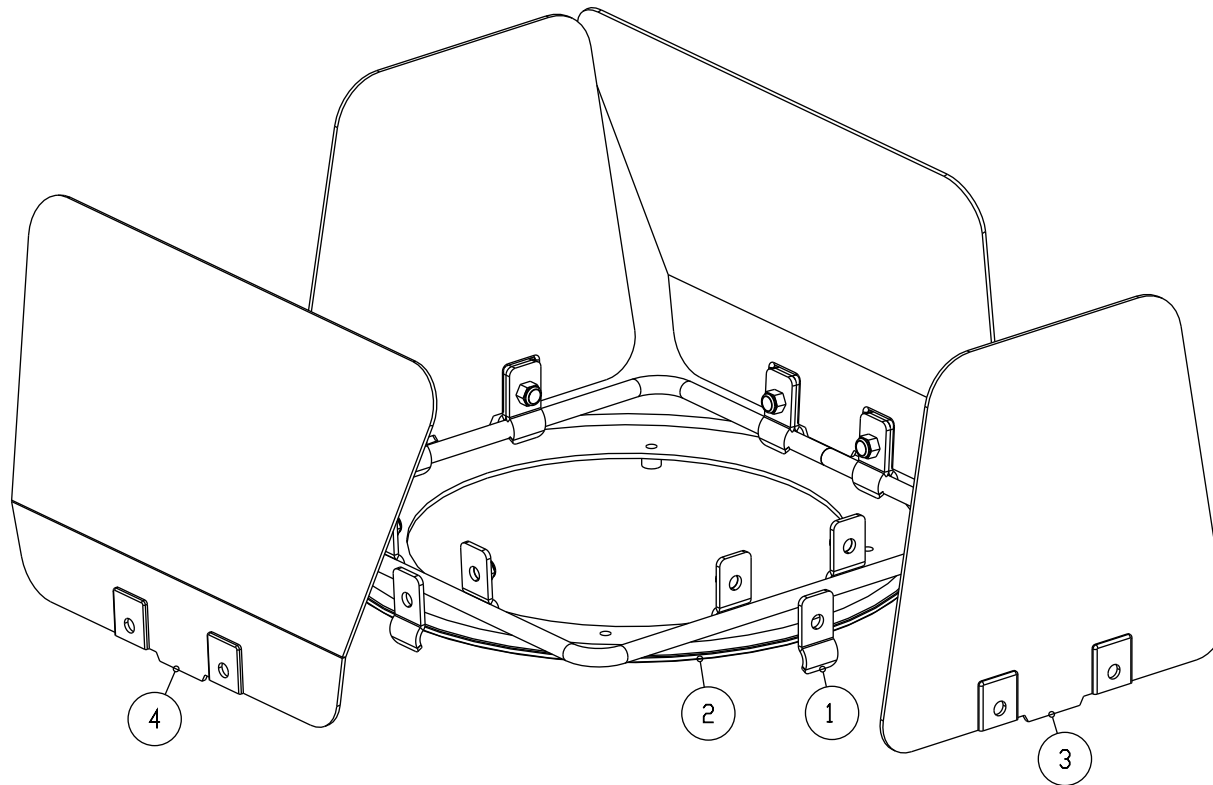
PRODUCT		WW TONE			
PIC. NO.		10-0146-02-00-00			
EDIT		FILE NO.	HY-EXP-850A	PAGE NO.	3/12
CHECK		VERSION	NR	DATE	2011.01.28
APPROVE		ECN NO.		DATE	



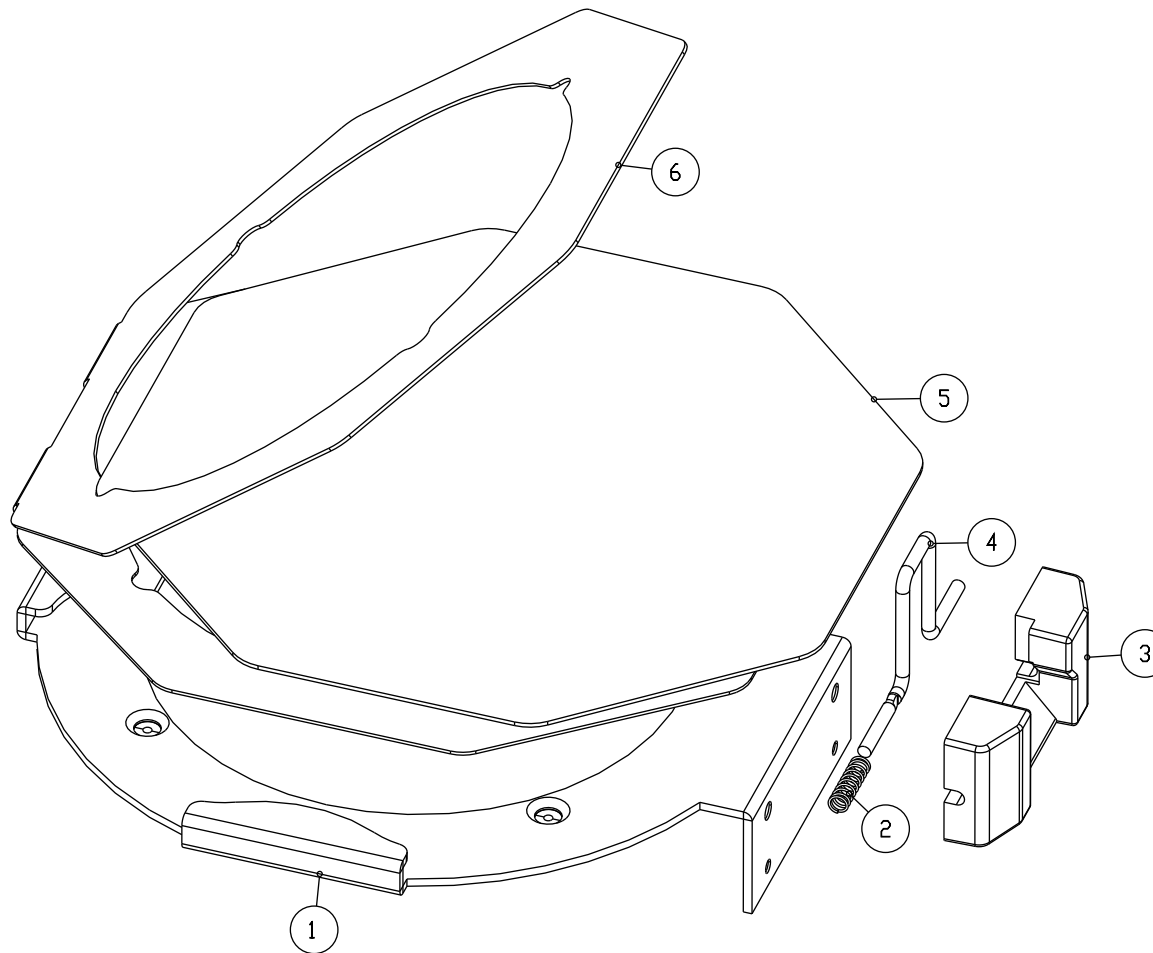
PRODUCT		WW TONE			
PIC. NO.		10-0146-03-00-00			
EDIT		FILE NO.	HY-EXP-850A	PAGE NO.	4/12
CHECK		VERSION	NR	DATE	2011.01.28
APPROVE		ECN NO.		DATE	



PRODUCT		WW TONE			
PIC. NO.		PT80-04A-01_A00			
EDIT		FILE NO.	HY-EXP-850A	PAGE NO.	5/12
CHECK		VERSION	NR	DATE	2011.01.28
APPROVE		ECN NO.		DATE	

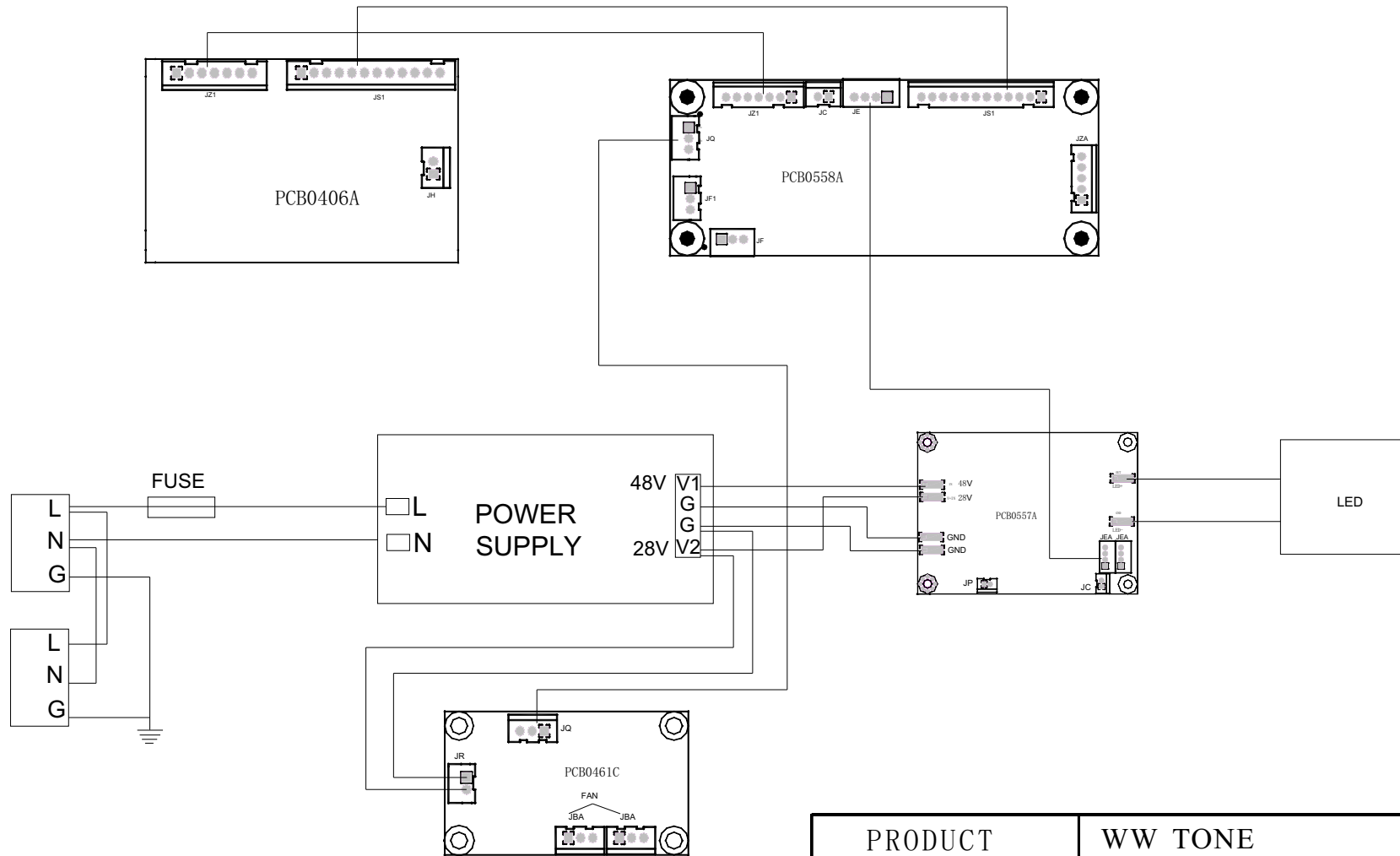


PRODUCT		WW TONE			
PIC. NO.		PT80-04-00_A00			
EDIT		FILE NO.	HY-EXP-850A	PAGE NO.	6/12
CHECK		VERSION	NR	DATE	2011.01.28
APPROVE		ECN NO.		DATE	

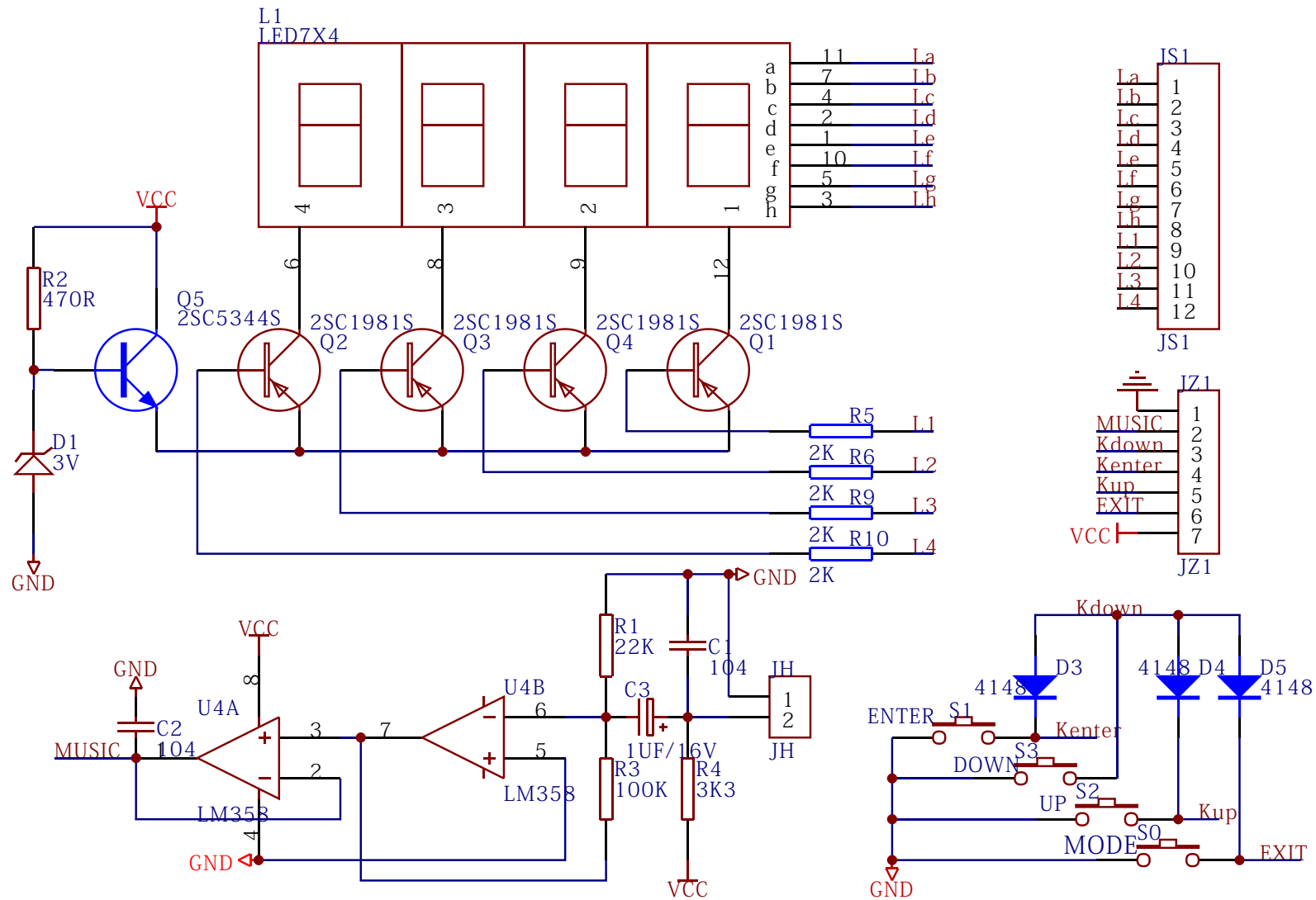


PRODUCT		WW TONE			
PIC. NO.		PT80-05A-01_A00			
EDIT		FILE NO.	HY-EXP-850A	PAGE NO.	7/12
CHECK		VERSION	NR	DATE	2011.01.28
APPROVE		ECN NO.		DATE	

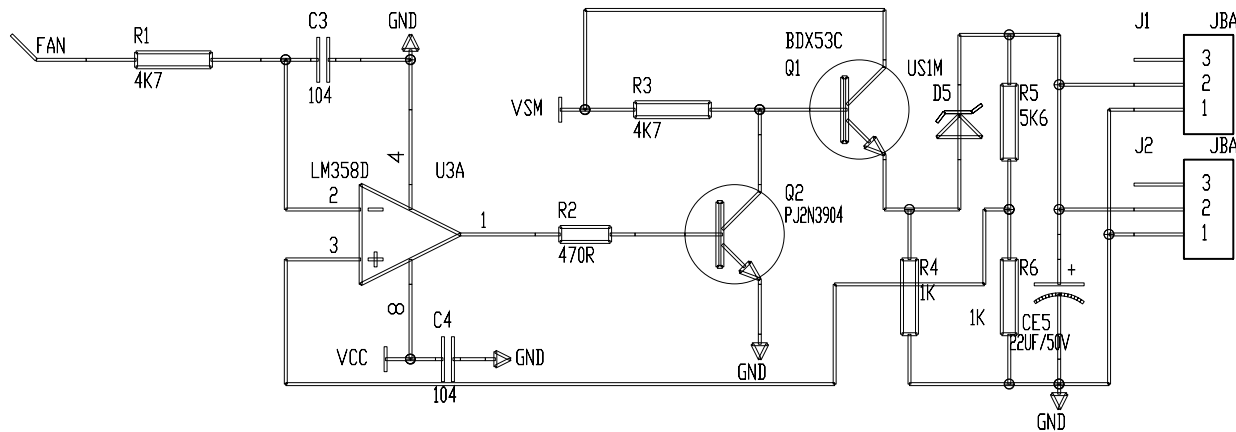
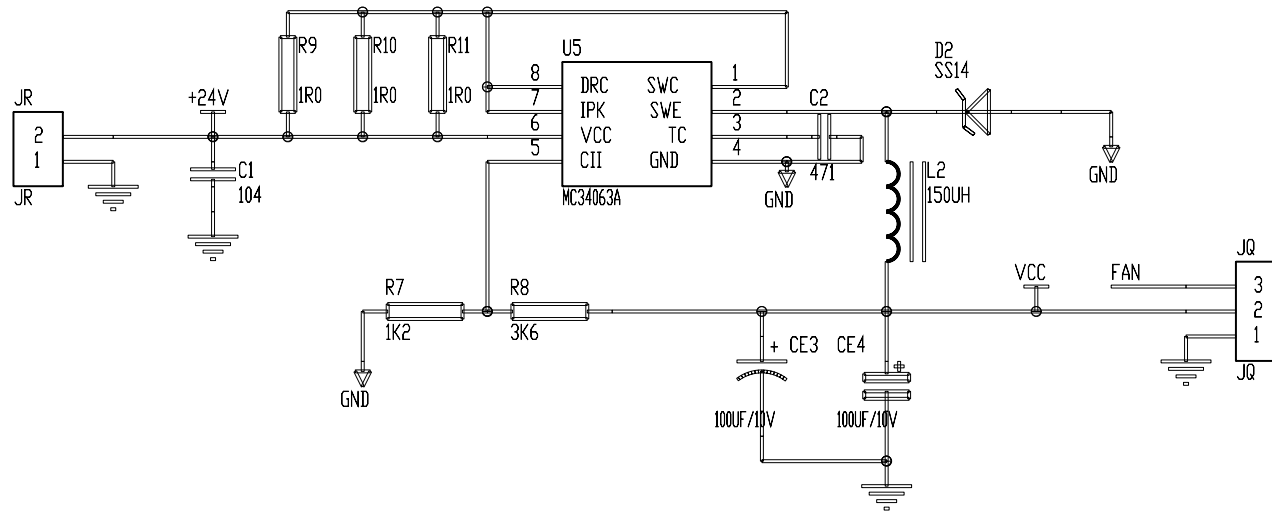




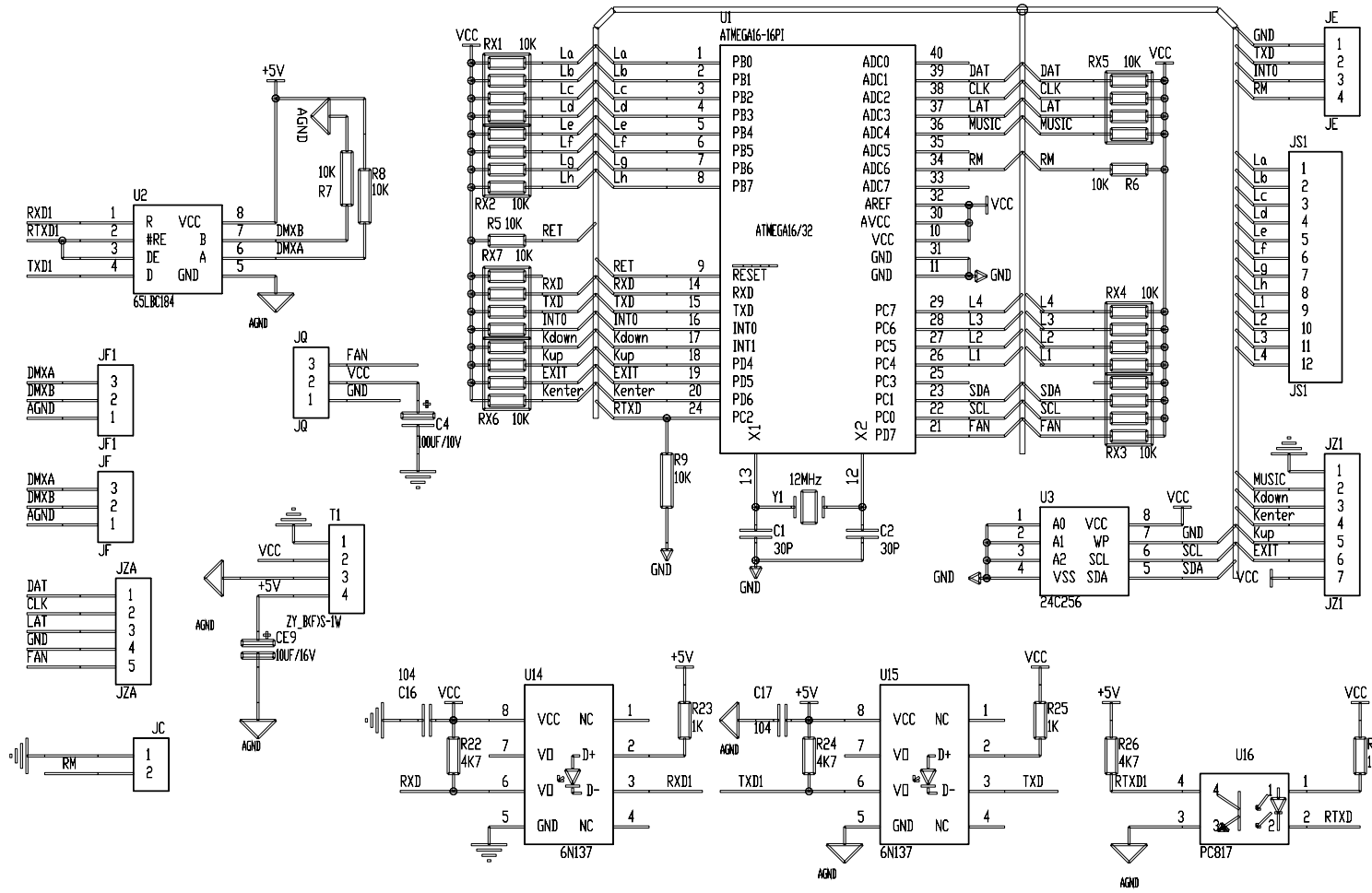
PRODUCT		WW TONE			
PIC. NO.		WW TONE ELECTRIC			
EDIT		FILE NO.	HY-WIJL-G107	PAGE NO.	8/12
CHECK		VERSION	NR	DATE	2011.01.28
APPROVE		ECN NO.		DATE	



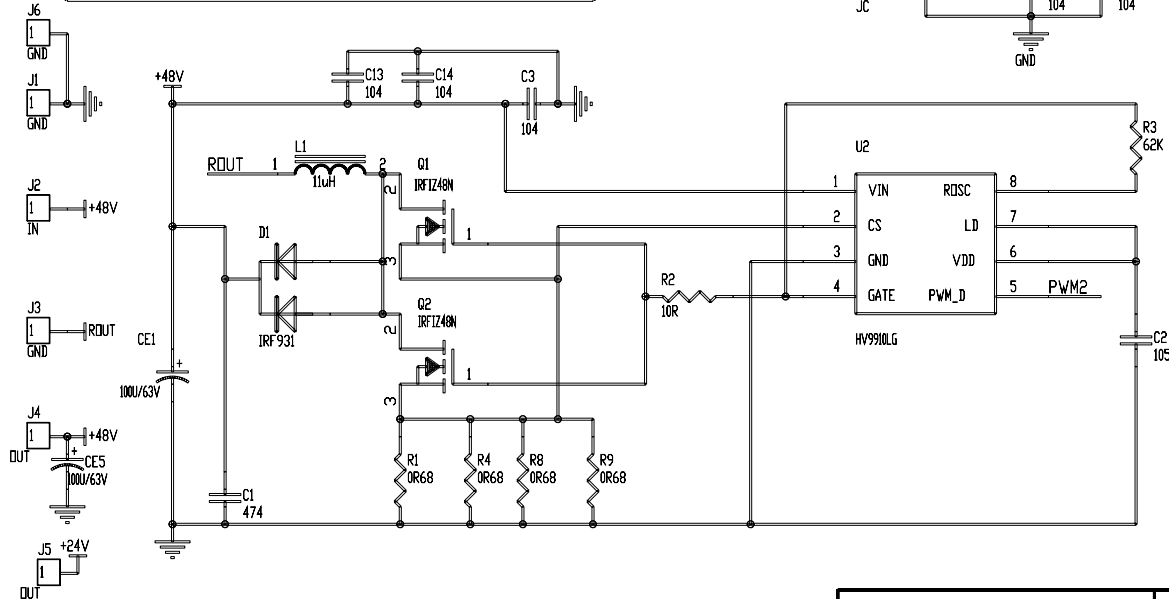
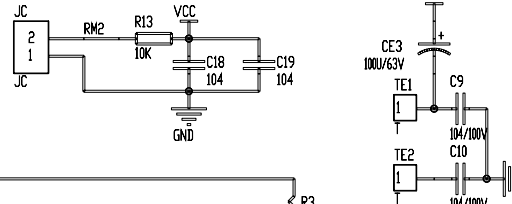
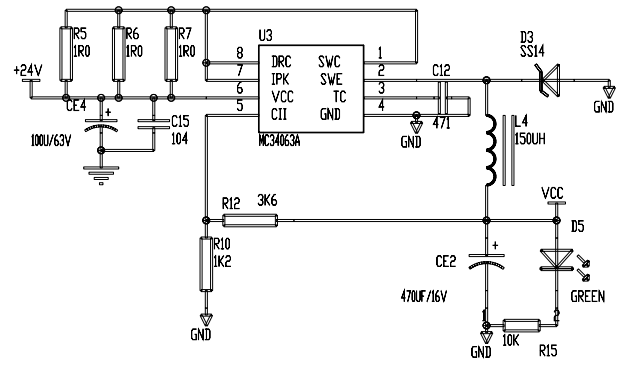
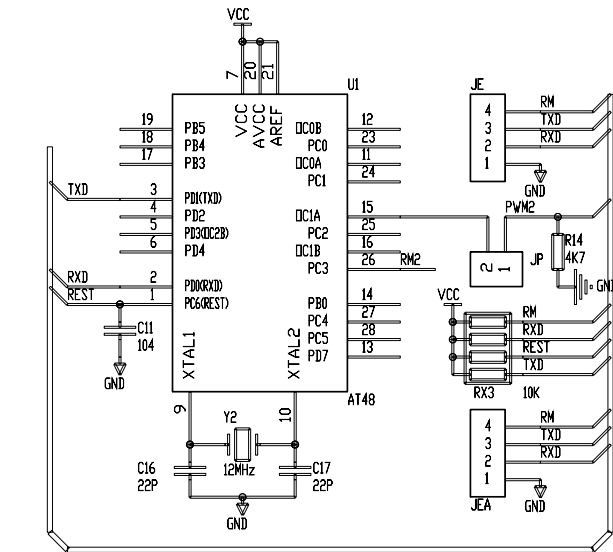
PRODUCT		WW TONE			
PIC. NO.		PCB0406A SCHEME			
EDIT		FILE NO.	HY-WIEC-0502	PAGE NO.	9/12
CHECK		VERSION	NR	DATE	2011.01.28
APPROVE		ECN NO.		DATE	



PRODUCT		WW TONE			
PIC. NO.		PCB0461C SCHEME			
EDIT		FILE NO.	HY-WIEC-0671	PAGE NO.	10/12
CHECK		VERSION	NR	DATE	2011.01.28
APPROVE		ECN NO.		DATE	



PRODUCT		WW TONE			
PIC. NO.		PCB0558A SCHEME			
EDIT		FILE NO.	HY-WIEC-0751	PAGE NO.	11/12
CHECK		VERSION	NR	DATE	2011.01.28
APPROVE		ECN NO.		DATE	



PRODUCT		WW TONE			
PIC. NO.		PCB0557A SCHEME			
EDIT		FILE NO.	HY-WIEC-0750	PAGE NO.	12/12
CHECK		VERSION	NR	DATE	2011.01.28
APPROVE		ECN NO.		DATE	